



MEA  
MET

◀ **SERIE MEA ACCUMULO**  
*Mea Accumulator Series*

◀ **SERIE MET TRANSFER**  
*Met Parison Transfer Series*

# SERIE MEA ACCUMULO / MEA ACCUMULATOR SERIES

UNITÀ DI CHIUSURA / CLAMP UNIT	Fig. 1 / Pic. 1		MEA20 / MET 20	MEA30 / MET 30	MEA 40 / MET 40
FORZA CHIUSURA KN / CLAMPING FORCE KN		kN	200	300	400
DIMENSIONI PIASTRE (A x B) / MOULD PLATE DIMENSION (A x B)		mm	500X600	600x800	750X1000
LUCE TRA COLONNE (AA x BB) / TIE BARS DAYLIGHT (AA x BB)		mm	570X700	660x900	850X1100
APERTURA MINIMA / MASSIMA (S - SS) / MIN/ MAX OPEN POSITION (S - SS)		mm	740/1040	610/1230	880/1340
SPESSORE MINIMO / MAX STAMPO (T - TTx2) / MIN/MAX MOULD THICKNESS (T - TTx2)		mm	300/600	330/750	340/800
CORSA CHIUSURA MASSIMA (D) / CLAMPING STROKE (D)		mm	440	480	540

CONSUMI / CONSUMPTIONS			MEA20 / MET 20	MEA30 / MET 30	MEA 40 / MET 40
CONSUMO MEDIO DRY CYCLE / DRY CYCLE AVERAGE CONSUMPTION		KwH	1,5	1,7	2,0
POTENZA INSTALLATA / TOTAL INSTALLED POWER		kW	11,8	13,3	14,8
MAX RAFFREDDAMENTO STAMPI RICHIESTO / MAX MOULD COOLING ENERGY REQUEST		KCAL/Kj	30000/125000	40000/165000	50000/210000
PORTATA ACQUA RICHIESTA CON 2°C / WATER FLOW REQUEST AT 2°C		Nm3/h	15	20	25
CONSUMO MEDIO ARIA / AVERAGE AIR CONSUMPTION		Nm3/h	55	70	85
PRESSIONE ARIA RICHIESTA / WORKING AIR PRESSURE		bar			

TESTE ACCUMULO / ACCUMULATOR HEADS		AH5	AH8
CAPACITA' / ACCUMULATION CAPACITY	Lt	5,5	8
DIAMETRO MAX FILIERA / MAX DIE DIAMETER	mm	300	300
CORSA ACCUMULO / ACCUMULATION STROKE	mm	240	360
CORSA PARISON / PARISON MANDREL STROKE	mm	30	30
POTENZA RISCALDAMENTO / HEATING POWER	kW/n°	45	50
ZONE / HEATING ZONES	n°	7	7
POTENZA MOTORI INSTALLATA / MOTOR TOTAL POWER	kW	38	38

TESTE TRANSFER / TRANSFER MACHINE HEADS		HS230	HS325
DIAMETRO MAX FILIERA / MAX DIE DIAMETER	mm	140	200
CORSA PARISON / PARISON MANDREL STROKE	mm	10	20
POTENZA RISCALDAMENTO / HEATING POWER	kW	14000	23500
ZONE / HEATING ZONES	n°	8	8
POTENZA MOTORI INSTALLATA / MOTOR POWER	kW	3,45	6,3

ESTRUSORI STANDARD / STANDARD EXTRUDERS		E50	E60	E70
RAPPORTO / L/D RATIO	L/D	24	24	24
VELOCITA' MASSIMA / MAX ROTATION SPEED	RPM	75	75	75
POTENZA MOTORE / MOTOR POWER	kW	15	26	35
POTENZA RISCALDAMENTO / HEATING POWER	w	6800	9000	11200
ZONE / HEATING ZONES	n°	4	5	5
PORTATA MASSIMA HDPE / MAX HDPE THROUGHPUT	Kg/H	32	70	90
RAFFREDDAMENTO TRAMOGGIA RICHIESTO / FEEDING COOLING POWER REQUEST	Kcal/Kj	140/560	200/800	300/1200
PORTATA ACQUA RICHIESTA CON Dt2°C / WATER FLOW REQUEST AT Dt2°C	Lt/h	70	100	150

ESTRUSORI APM / APM EXTRUDER (HMWPE)		APM60	APM80	APM90
RAPPORTO / L/D RATIO	L/D	24	24	24
VELOCITA' MASSIMA / MAX ROTATION SPEED	RPM	75	75	75
POTENZA MOTORE / MOTOR POWER	kW	45	55	63
POTENZA RISCALDAMENTO / HEATING POWER	w	11400	16900	21000
ZONE / HEATING ZONES	n°	5	5	5
PORTATA MASSIMA HDPE / MAX HDPE THROUGHPUT	Kg/H	90	140	190
RAFFREDDAMENTO TRAMOGGIA RICHIESTO / FEEDING COOLING POWER REQUEST	Kcal/Kj	4500/19000	7000/29000	9500/40000
PORTATA ACQUA RICHIESTA CON Dt2°C / WATER FLOW REQUEST AT Dt2°C	Lt/h	2500	3500	4750

DIMENSIONI / DIMENSIONS	Fig. 2 - 3 / Pic. 2 - 3		MEA20 / MET 20	MEA30 / MET 30	MEA 40 / MET 40
LUNGHEZZA / LENGTH		mm	5600	6000	6600
LARGHEZZA / WIDE		mm	3000	3400	3400
ALTEZZA SERIE MEA (HA) / HEIGHT MEA SERIE (HA)		mm	4600	4800	5600
ALTEZZA SERIE MET (HT) / HEIGHT MET SERIE (HT)		mm	4600	5400	6000

I dati riportati sono indicativi e non comportano nessun impegno se non espressamente indicati nel contratto.

The above data are approximate and not binding if not expressly reported on the contract.



# SERIE MET TRANSFER / MET PARISON TRANSFER SERIES

MEA 50 / MET 50	MEA 60 / MET 60	MEA 75 / MET 75	MEA 90 / MET 90
500	600	750	900
850x1100	900x1200	1000x1300	1100x1350
950x1270	1000x1380	1150x1560	1250x1580
940/1450	1070/1600	1200/1750	1900
360/850	420/950	500/1050	500/1100
600	650	700	800

MEA 50 / MET 50	MEA 60 / MET 60	MEA 75 / MET 75	MEA 90 / MET 90
2,2	2,5	2,7	3,0
16,5	19	21,5	23,5
65000/270000	80000/334000	110000/459000	140000/585000
32	40	55	70
95	120	150	200
6 - 8			

AH10	AH15
10	15
400	400
270	400
35	35
60	65
7	7
44	44

CX3HS375	CX2HS420
220	220
20	20
38500	33000
12	7
6,3	6,3

	E80	E90	E100
	24	24	24
	75	75	75
	45	55	90
	14400	20500	25000
	5	6	6
	140	190	240
	400/1600	600/2400	800/3200
	200	300	400

	APM100	APM120	APM135
	24	24	28
	67	67	54
	100	140	180
	44300	50300	70000
	6	5	7
	320	450	680
	16000/67000	22500/94000	34000/140000
	8000	11500	17000

MEA 50 / MET 50	MEA 60 / MET 60	MEA 75 / MET 75	MEA 90 / MET 90
6800	7300	7600	8200
3700	3700	4000	5000
5800	6000	6400	6900
6800	7500	8000	8700

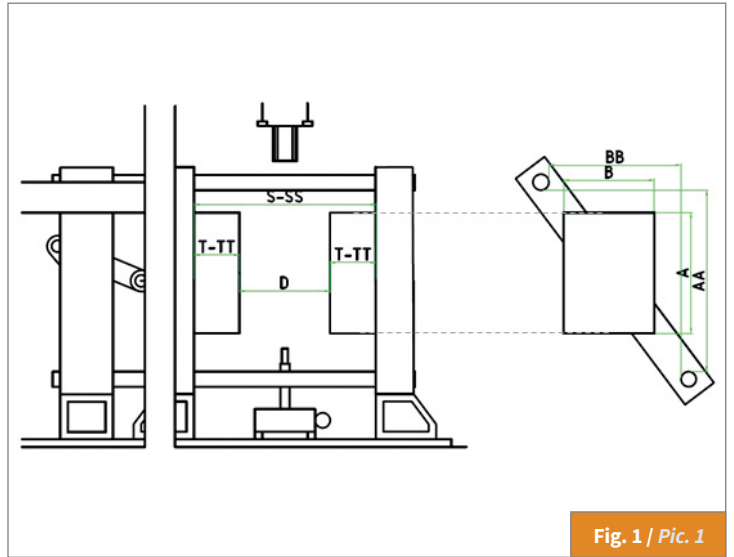


Fig. 1 / Pic. 1

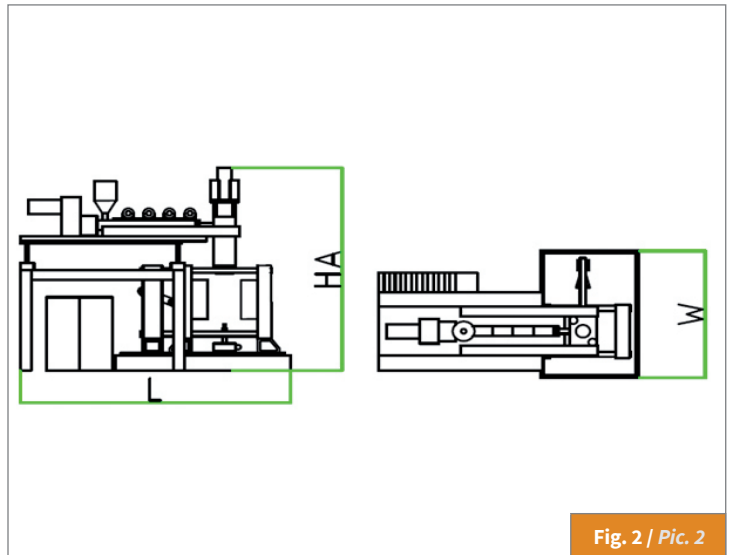


Fig. 2 / Pic. 2

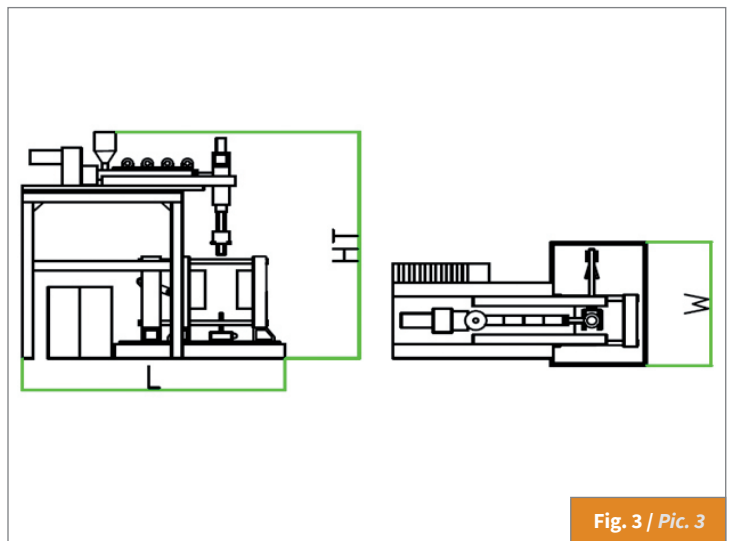


Fig. 3 / Pic. 3



### **HEADQUARTERS**

Via G. Medici, 40  
20900 Monza (MB), Italy  
Phone: +39 0392 301096  
Fax: +39 0392 301017  
customer-care@magicmp.it

### **PRODUCTION SITE 1**

Via G. Puecher  
20842 Besana in Brianza (MB), Italy

### **PRODUCTION SITE 2**

Via S. D'Acquisto 4  
20842 Besana in Brianza (MB), Italy

### **PRODUCTION SITE 3**

Automa by Magic Srl  
Via S. Allende, 3,  
40026 Imola (BO), Italy

### **MAGIC NORTH AMERICA**

11236 C Lemen Rd.  
Whitmore Lake, Michigan, 48189, USA

### **MAGIC, BÜRO DEUTSCHLAND**

Wasserstr. 8  
79098 Freiburg, Germany